



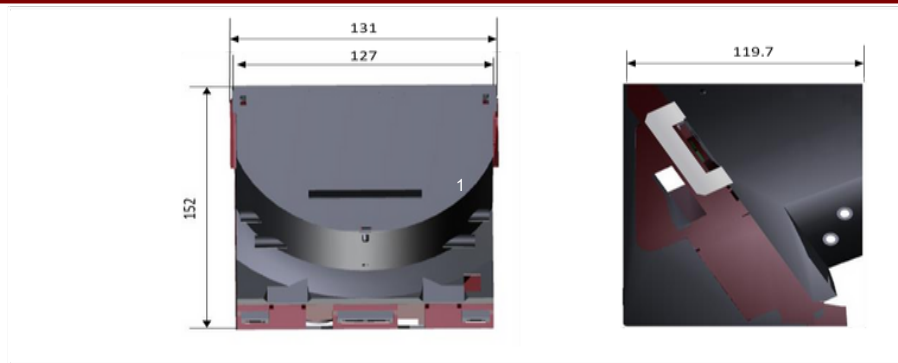
DATASHEET

41189831-1Discriminador-II 8 6M/S/CV

Description

Product family	Discriminador-II CCT
Part name	Discriminador-II 8 6M/S/CV
Part number	41189831
Revision number	1
Disc	8 cavities
Bowl size	S
Communications	CCT

Product characteristics



Coin characteristics

Coin diameter	Coin	18 - 30 mm
thickness	Speed	1.7 - 3.2 mm
		5.4 coins/second

Environment

Working temperature	+5 to +55°C
Storage temperature	-25°C to +70°C
Relative humidity	95% RH
Maximum inclination	± 3° on all axes

Electrical characteristics

Voltage	Nominal	12V-24V (±10%)
Current	Standby	70 mA (±5%)
	Operation	450mA (±20%)
	Start	3.5 A (±20%)

Mechanical characteristics

Dimensions	Width	127 mm (±1mm)
	Height	152 mm (±1mm)
	Depth	119.7 mm (±1mm)
Weight	623 g	

Hopper Features

Disc model	8 cavities
Bowl size	S
Capacity *	250 coins
Blade	Long blade
Stirrer	Long

Sensing

Level sensors	Bottom
---------------	--------

Additional characteristics

Cleaning	after 500.000 coins
Life	2.000.000 coins

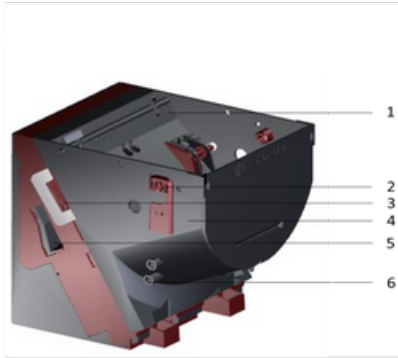
*Measured with coins of Ø 24 mm and thickness 2.8mm



DATASHEET

41189831-1Discriminador-II 8 6M/S/CV

Product components

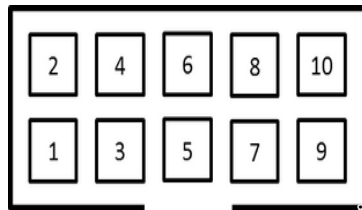


Components

1	Stirrer
2	Full sensor
3	Coin output
4	Bowl
5	Output in cascade configuration
6	Empty sensor

Connection and communications

Protocol CCT
 Function ccTalk® protocol
 Connector 5x2 vias (pitch 254)

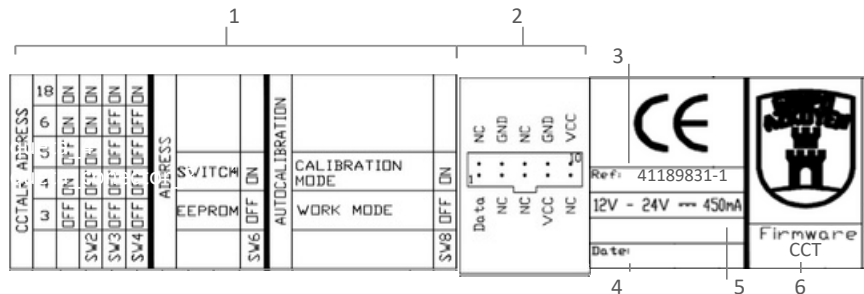


Pin	Function
1	Data
2	-
3	-
4	GND
5	-
6	-
7	VCC
8	GND
9	-
10	VCC

Product labeling

Description

1	Hopper configuration	4	Manufacturing date
2	Connector pinout	5	Voltage and current supply
3	Hopper reference	6	Firmware



Additional information

Datasheet creation date

10/10/2023